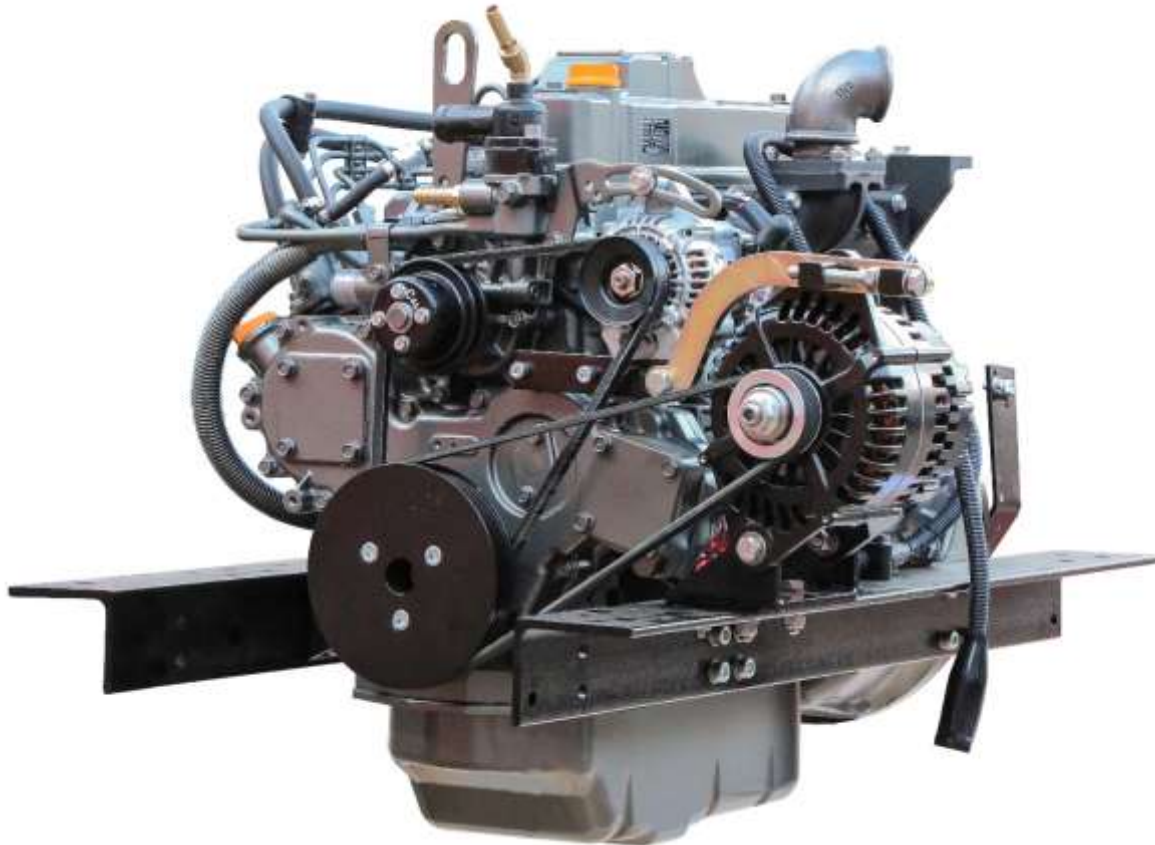




# **SHIRE** PARTS BOOK



For the following engine models\*:

- Shire 05 45
- Shire 06 45
- Shire 09 45
- Shire 11 45
- Shire 12 45
- Shire 14 45
- Shire 45

\*Standard Model, there may be a number of optional extras that may be fitted to an engine that are not shown in this book

## Index

	Page
Base Engine Model .....	3
Service Parts .....	4
Consumables .....	6
Control Panel Parts .....	7
Electrical Parts .....	9
Gearbox Parts .....	12
Pumps .....	13
Thermostat Parts .....	14
Header Tank Parts .....	15
Travel Power Parts .....	16
Hybrid System Parts .....	17
Engine Mount Parts .....	18
Exhaust Manifold Blankets .....	19
Engine Parts: Injectors .....	20
Engine Parts: Fuel Injection Pump .....	21
Engine Parts: Rocker Cover Gasket & Oil Cap .....	22
Engine Parts: Cylinder Head Gasket .....	23
Accessories: Exhaust Equipment .....	24
Accessories: Sterngear .....	25
Accessories: Couplings .....	26
Accessories: Propellers .....	27
Accessories: Lever Controller .....	28
Dealer List .....	29

## Base Engine Model

Shire Model	Base Engine
Shire 05 45	4TNV88-DSA
Shire 06 45	4TNV88-DSA
Shire 09 45	4TNV88-DSA
Shire 11 45	4TNV88-DSA
Shire 12 45	4TNV88-DSA
Shire 14 45	4TNV88-DSA
Shire 45	4TNV88-BDYED-SH

## Service Parts

	Description	Part No.	Model
	Primary Fuel Filter	RDG2238	Shire 05 45 Shire 06 45
	Primary Fuel Filter	RDG9188346	Shire 09 45 Shire 11 45 Shire 12 45 Shire 14 45 Shire 45
	Secondary Fuel Filter	119802-55810	All
	Air Filter Element	RDG5795	All
	Oil Filter	129150-35170	All
	Fuel Filter Drain Screw	RDG9189022	Shire 09 45 Shire 11 45 Shire 12 45 Shire 14 45 Shire 45
	50A Alternator Belt	RDG6079	All
	110A Alternator Belt	RDG2254	Shire 05 45 Shire 06 45 <b>(Serial No 000001 to 041284)</b>



110A Alternator Belt

RDG0047511

Shire 05 45  
 Shire 06 45  
 (Serial No  
 041285  
 onwards)



160A Alternator Belt

RDG0047859

Shire 09 45



240A Alternator Belt

RDG0047511

Shire 11 45



240A Alternator Belt

RDG0047498

Shire 12 45  
 Shire 14 45  
 Shire 45








## Consumables



Description	Part No.	Model
Engine Oil 10W40 CD 5L Container (This can also be used for a PRM 150 and PRM 280 Gearbox) NOTE: This part number supersedes RDG2797	RDG6110	All
Diesel Fuel Additive 500ml Container	RDG80210219	All

## Control Panel Parts

**\* The Shire 05 45, Shire 06 45, Shire 09 45 and Shire 11 45 used a different type of panel which is no longer available. If the Control Panel or any of the parts on it require replacement the newer Standard/Deluxe Control Panel would be required.**

	Description	Part No.	Model
	Standard Control Panel	RDG20710110	All*
	Deluxe Control Panel	RDG20710111	All*
	Ignition Switch	RDG215A5	All
<div style="background-color: #4a90e2; color: white; padding: 5px; text-align: center;">No Image</div>	Ignition Switch Kit (to replace ignition switches fitted before 2016)	RDG215A6	All
	Tacho Gauge	RDG20710158	All
	Oil Pressure Gauge	RDG21710160	All
	Voltmeter Gauge	RDG21710161	All
	Water Temperature Gauge	RDG21710159	All



Control Panel Warning  
Light

RDG20910163

All



## Electrical Parts

	Description	Part No.	Model
	Extension Loom (2.3m)	RDG4041	All
	50A Alternator	AND0286	All
	150A Alternator (160A Alternator originally supplied but is no longer available)	RDG20110201	Shire 06 45 Shire 09 45
	240A Alternator	RDG2019682	Shire 11 45 Shire 12 45 Shire 14 45 Shire 45
	Starter Motor	SHI0112	All
	Stop Solenoid	119653-77950	All
	Electric Fuel Pump	RDG504A90	All
	Water Temperature Switch	121250-44901	All (Up to Serial No 45-02817)



Water Temperature Sender

RDG6765

All (Up to Serial No 45-02817)



Water Temperature Sender and Switch

RDG2189446

Shire 45 (Serial No 45-02818 onwards)



Oil Pressure Sensor

RDG6752

Shire 05 45  
Shire 06 45



Oil Pressure Switch / Sensor

RDG2189445

Shire 09 45  
Shire 11 45  
Shire 12 45  
Shire 14 45  
Shire 45



Engine Stop Control System Fuse (40 Amp)

RDG3246

All



Control Panel Supply Fuse (15 Amp)

RDG3245

All



Engine Start Control System Fuse (15 Amp)

RDG3245

All



Glow Plug Fuse (40 Amp)

RDG3246

All



Starter Relay

RDG1396

All











Cold Start Relay

RDG5279

Shire 45

## Gearbox Parts

	Description	Part No.	Model
	Damper Drive Plate for PRM 150 D2 / D3	RDG1766	All
	Heavy Duty Drive Coupling for PRM 150 D2 / D3 (Option)	RDG7080	All
	Damper Drive Plate for PRM 260 / 280 D2 / D3	RDG1957	All
	PRM 150 D2 Gearbox (Unless the optional D3 3:1 Ratio gearbox has been fitted)	RDG1765	All
	Gearbox Oil Cooler (This replaces <u>ALL</u> previous oil coolers fitted on engines)	RDG909A19	All*
	Gearbox Oil Cooler Hose (Long)	RDG5690	All
	Gearbox Oil Cooler Hose (Short)	RDG5295	All
	Gearbox Oil Cooler Water Hose 28mm	RDG1883	All

\* Modifications may be required for the Oil Cooler to fit

## Pumps



Description	Part No.	Model
Sump Pump 3/4"	RDG2837	All

## Thermostat Parts






	Description	Part No.	Model
	Thermostat (71°) (Fitted to engine)	129155-49801	All (Up to Serial No 45-02817)
	Thermostat (82°) (On Shire 05 45 & Shire 06 45 fitted to twin thermostat)	RDG909A7	Shire 05 45 Shire 06 45 Shire 45 (Serial No 45-02818 onwards)
	Thermostat (88°) (Fitted to twin thermostat)	L375-06203-2	Shire 09 45 Shire 11 45 Shire 12 45 Shire 14 45 Shire 45 (Up to Serial No 45-02817)
	Thermostat Gasket (Fitted to twin thermostat)	L375-06202	Shire 09 45 Shire 11 45 Shire 12 45 Shire 14 45 Shire 45 (Up to Serial No 45-02817)
	Thermostat Gasket (Fitted to twin thermostat)	KM385T-06209	Shire 09 45 Shire 11 45 Shire 12 45 Shire 14 45 Shire 45 (Up to Serial No 45-02817)
	Thermostat Gasket (Fitted to engine) NOTE: On Shire 05 45 & Shire 06 45 the gasket is also fitted to twin thermostat	129350-49541	All

## Header Tank Parts



Description	Part No.	Model
Header Tank	RDG6364	All
Header Tank Cap	RDG1723	All
Header Tank Hose	RDG3310	All

## Travel Power Parts

	Description	Part No.	Model
	3.5kW Travel Power Alternator Belt	RDG6076	Shire 05 45 Shire 06 45 Shire 09 45 Shire 11 45
	3.5kW Travel Power Alternator Belt	RDG0047511	Shire 12 45 Shire 14 45 Shire 45
	5kW Travel Power Alternator Belt	RDG6076	Shire 05 45 Shire 06 45 Shire 09 45 Shire 11 45
	5kW Travel Power Alternator Belt	RDG0047511	Shire 12 45 Shire 14 45 Shire 45
	7/8kW Travel Power Alternator Belt	RDG6082	All



## Hybrid System Parts



Description	Part No.	Model
48 Volt Alternator Belt (Port)	RDG004A219	Shire 50 (From Serial No xx-02638)
48 Volt Alternator Belt (Starboard)	RDG004A220	Shire 50 (From Serial No xx-02638)

## Engine Mount Parts



Description	Part No.	Model
Engine Mount	RDG3033	All
Engine Mount Stud Kit	RDG1867	All

## Exhaust Manifold Blankets



Description	Part No.	Model
Exhaust Blanket	RDG9047745	Shire 12 45 Shire 14 45 Shire 45

**Engine Parts: Injectors**

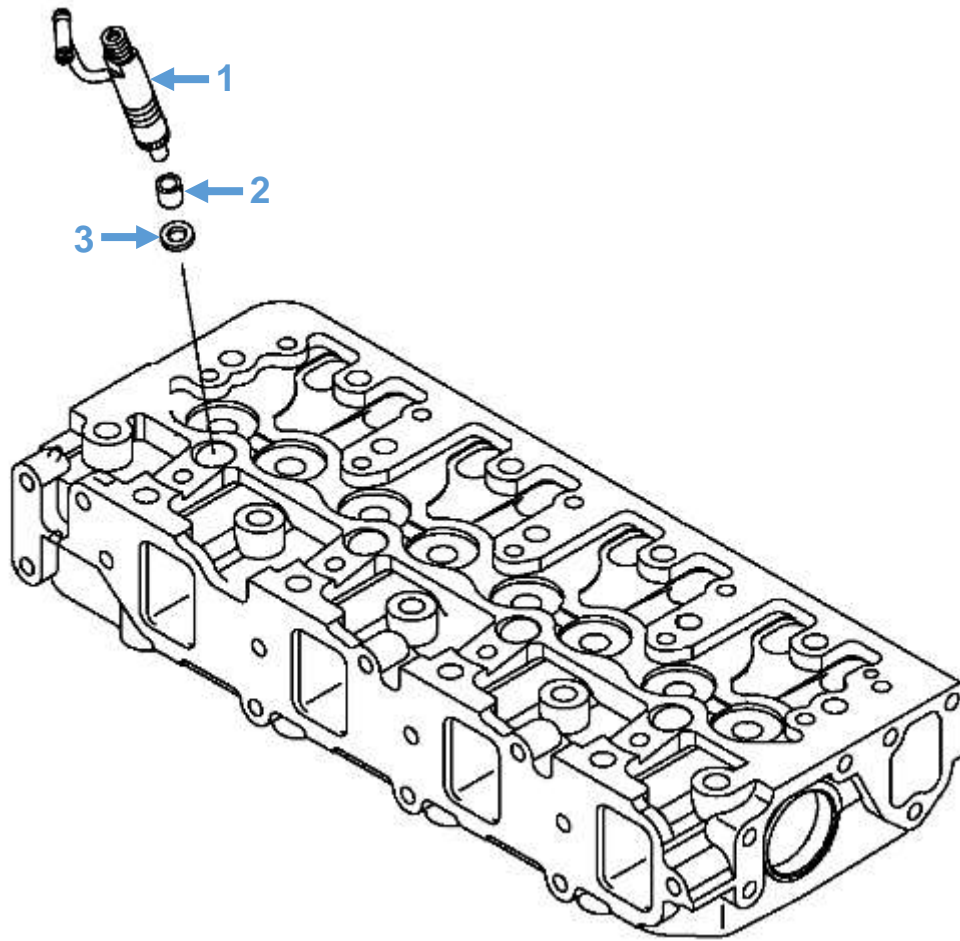


Diagram No.	Description	Part No.	Model
1	Injector	729602-53101	Shire 05 45 Shire 06 45 Shire 09 45 Shire 11 45 Shire 12 45 Shire 14 45
		729604-53200	Shire 45
2	Injector Protector	119802-11870	All
3	Injector Seat	119625-11880	All

**Engine Parts: Fuel Injection Pump**

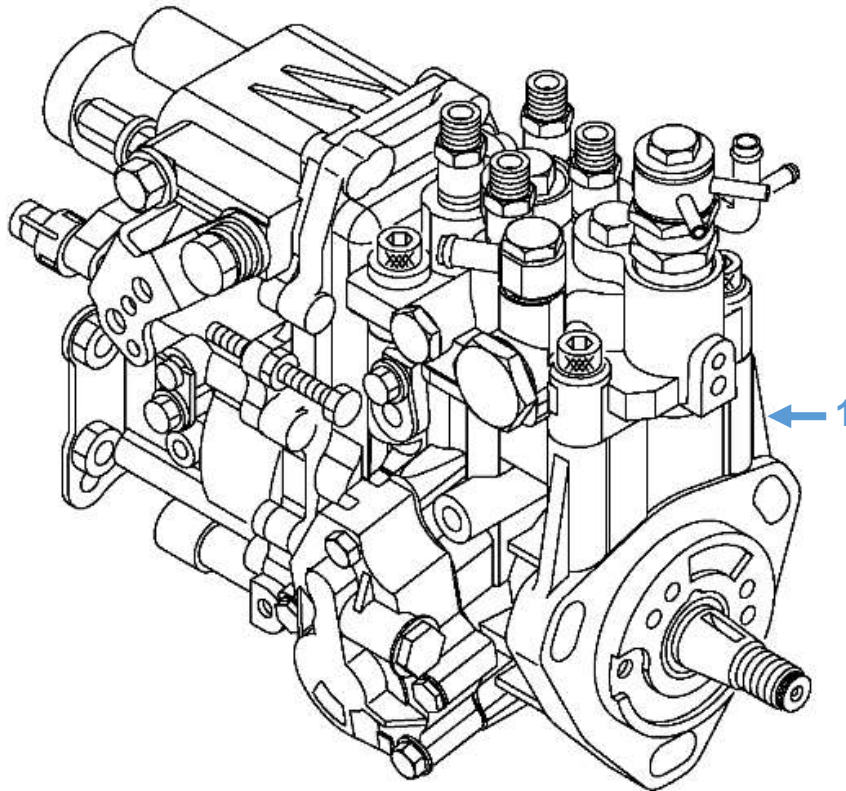


Diagram No.	Description	Part No.	Model
1	Fuel Injection Pump	729602-51310	Shire 05 45 Shire 06 45 Shire 09 45 Shire 11 45 Shire 12 45 Shire 14 45
		729688-51301	Shire 45

**Engine Parts: Rocker Cover Gasket & Oil Cap**

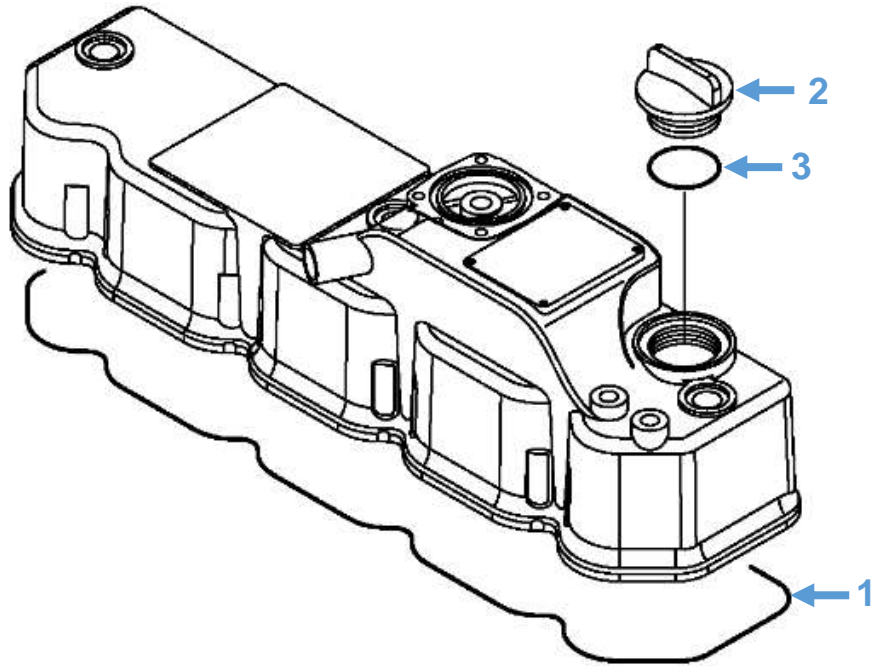


Diagram No.	Description	Part No.	Model
1	Rocker Cover Gasket	129601-11310	All
2	Oil Cap	124160-01751	All
3	Oil Cap O-Ring	24311-000320	All

**Engine Parts: Cylinder Head Gasket**

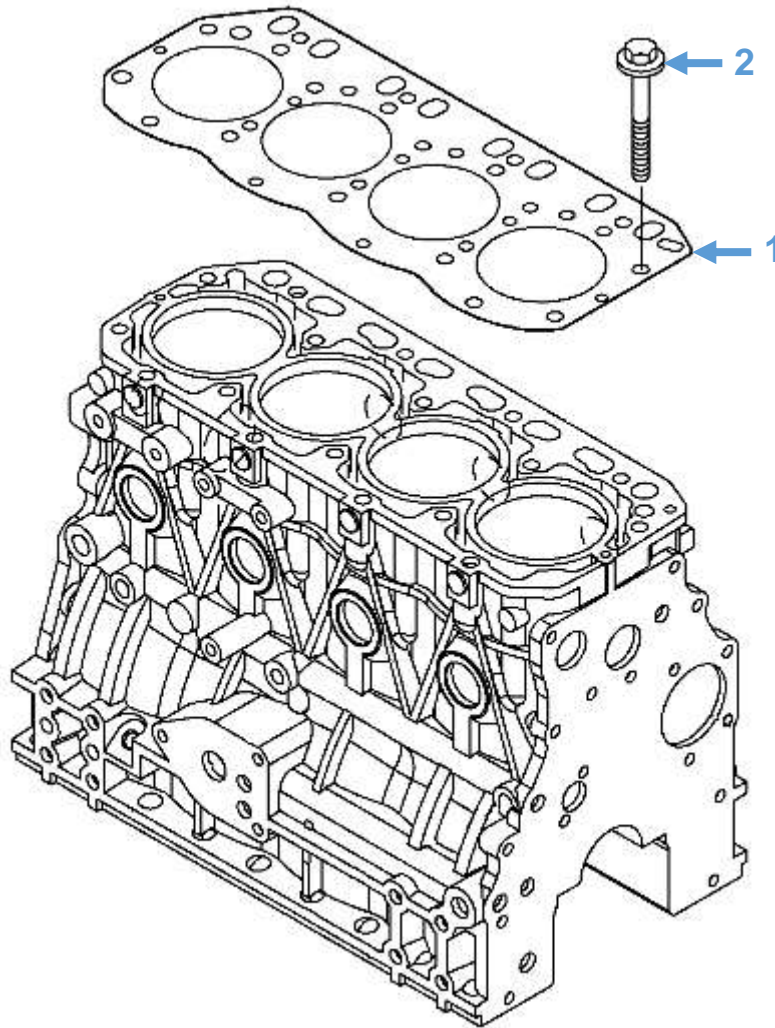


Diagram No.	Description	Part No.	Model
1	Cylinder Head Gasket	129407-01340	All
2	Cylinder Head Bolt	129150-01200	All

## Accessories: Exhaust Equipment

	Description	Part No.	Model
	Exhaust Coupling 1.5"	RDG1916	All
	Flexible Exhaust Pipe Blanket	RDG2477	All
	Flexible Exhaust 1.5"	RDG1879	All
	Dry Exhaust Silencer 1.5"	RDG1911	All
	Hospital Silencer 1.5"	RDG6536	All



## Accessories: Sterngear



Description	Part No.	Model
30" x 1.5" Diameter Propeller Shaft	EPB3841	All
Weldable Sterntube	EPB5534	All
Flexible Shaft Seal (to suit 1.5" shaft)	EPB5536	All

## Accessories: Couplings



Description	Part No.	Model
R&D Flexible Coupling Disc	RDG9129347	All
R&D Split Boss Clamp Coupling	RDG1079349	All
Centaflex Type 16 Coupling 1.5"	RDG2779	All

## Accessories: Propellers



Description	Part No.	Model
18" x 10" 3 Blade Propeller	18X103PB	All*

**Suitable for a 1.5" Shaft, 12:1 Taper**

## Accessories: Lever Controller



Description	Part No.	Model
Single Lever Control Unit (side mounted)	RDG92010055	All
3 Metre Cable	RDG92010056	All

## Dealer List

Area	Company	Telephone	Email
BERKSHIRE	Bluenine Marine	01189 406482	info@blueninemarine.co.uk
	Driveline Marine	0118 942 3877	tam@drivelinemarine.com
	Marcus Marine Engineering Ltd (Servicing, Repairs & Breakdowns only)	07900890911	Marcus@marcusmarine.co.uk
BRISTOL	Advance Marine	01275 815910	phil@advancemarine.co.uk
CHESHIRE	Midland Chandlers	01928 751 800	preston.brook@midlandchandlers.co.uk
	Nantwich Canal Centre Ltd	01270 625122	info@nantwichcc.com
CUMBRIA	Windermere Aquatic Ltd	01539 442121	service@aquaticboatcentres.com
DERBYSHIRE	Midland Chandlers	01283 701445	willington@midlandchandlers.co.uk
DEVON	Sleeman & Hawken Ltd	01626 778266	sales@sleeman-hawken.co.uk
ESSEX	French Marine Motors Ltd	01206 305233 01255 850303	info@frenchmarine.com
HAMPSHIRE	Marine Power Ltd	0238 0403918	sales@marine-power.co.uk
HERTFORDSHIRE	Lee Valley Marina	01920 870499 01920 293101	stansteadmarina@vibrantpartnerships.co.uk
	Keypart Ltd	01923 276000	sales@keypart.com
LEICESTERSHIRE	Foxton Boat Services Ltd	01162 792285	foxtonboats@btinternet.com
LONDON	Lee Valley Marina	020 88061717	springfieldmarina@vibrantpartnerships.co.uk
MIDDLESEX	Lindon Lewis Marine	01932 247427	service@pushtheboatout.com
NORTHAMPTON	Grand Junction Boat Co.	01604 858043	info@boatrepairs.uk.com
	Midland Chandlers	01788 891401	braunston@midlandchandlers.co.uk
NOTTINGHAM	Farndon Marina	01636 705483	info@farndonmarina.co.uk
STAFFORDSHIRE	JD Boat Services Ltd	01902 791811	david@jdboats.co.uk
	Midland Chandlers	01785 712437	penkridge@midlandchandlers.co.uk
	Stone Boatbuilding Company	01785 812688	stonechandlery@aol.com
	Streethay Wharf	01543 414808	office@streethaywharf.co.uk
WARWICKSHIRE	Springwood Haven Leisure Ltd	0845 4566572	enquiries@springwoodhaven.co.uk
WILTSHIRE	Devizes Marina	01380 725300	sales@devizesmarina.com

WORCESTERSHIRE	Crafted Boats Ltd	01527 876438	craftedboats@btconnect.com
	Evesham Marina	01386 768500	info@eveshammarina.co.uk
YORKSHIRE	Rodley Boat Centre	01132 576132	rodleyboatcentre@msn.com
MONMOUTHSHIRE	Castle Narrowboats	01873 830001	info@castle.narrowboats.co.uk
EIRE	Southshore Marina & Diesel Ltd	028383 41010	info@southshoremarine.co.uk